



HF-Essential II for TL5/TL-D

HF-E 1/2 58 TL-D II 220-240V 50/60Hz

Essentially smart and reliable. HF-Essential II is the most cost-effective solution for reliably operation of a fluorescent lamp. It is also the ideal entry-level product for electromagnetic system users who want to take advantage of the benefits provided by electronic ballasts. The cost-saving and reliable HF-Essential II is energy efficiency class A2, and its robust design meets all relevant international safety and performance standards. HF- Essential II is the ideal choice for a broad range of new construction and retrofit applications within the commercial sector, including general surface mounting and office lighting, parking garages, warehouses and other applications. The ballast is primarily designed for Indoor application. For outdoor application, the luminaire should be minimum Classland need to be sufficiently protected against water & dust. The installation should also be guard against any lightening surge or any other necessary electrical protection as deemed in such typical installation & application.

Product data

Operating and Electrical		Connector Type Output Terminals	Insert
Input Voltage	220 to 240 V		
Line Frequency	50 to 60 Hz		
Input Frequency	50 to 60 Hz		
Earth Leakage Current (Max)	0.5 mA		
Inrush Current Width	0.3 ms		
Inrush Current Peak (Max)	24 A		
Number of Products on MCB (16A Type B) (Nom)	20		
Wiring		Temperature	
Connector Type Input Terminals	Insert	T-Case Lifetime (Nom)	75 °C
		T-Case Maximum (Max)	75 °C
		Mechanical and Housing	
		Housing	L 211x40x28.7
		Ingress protection code	IP20 [Finger-protected]
		Net Weight (Piece)	0.155 kg

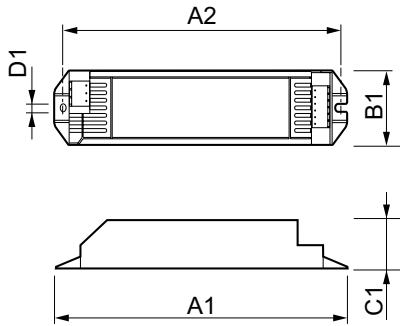
HF-Essential II for TL5/TL-D

Approval and Application	
Energy Efficiency Index	A2
Approval Marks	CE marking KEMA Keur certificate CB Certificate RoHS Compliant
Ambient temperature range	-10 °C to 50 °C

Product Data	
Order product name	HF-E 1/2 58 TL-D II 220-240V 50/60Hz
Full product name	HF-E 1/2 58 TL-D II 220-240V 50/60Hz

Full product code	871829177064000
Order code	913713040966
Material Nr. (12NC)	913713040966
Numerator - Quantity Per Pack	1
EAN/UPC - Product/Case	8718291770640
Numerator - Packs per outer box	20
EAN/UPC - Case	8718291770657

Dimensional drawing



Product	D1	C1	A1	A2	B1
HF-E 1/2 58 TL-D II 220-240V 50/60Hz	4.2 mm	28.7 mm	211.0 mm	198.0 mm	40.0 mm

